

NBC-FSBP/1,0-94B/R4AC - Network cable



1418004

<https://www.phoenixcontact.com/in/products/1418004>

Please be informed that the data shown in this PDF document is generated from our online catalog. Please find the complete data in the user documentation. Our general terms of use for downloads are valid.



Network cable, cable length: 1 m, number of positions: 8, 1 Gbps, CAT5, cable outlet: straight, Ethernet

Your advantages

- Perfect for industrial applications
- Perfect for office, building, and protected industrial applications (e.g., in control cabinets)
- Compact angle

Commercial data

Item number	1418004
Packing unit	1 pc
Minimum order quantity	25 pc
Note	Made to order (non-returnable)
Sales key	ABN
Product key	ABNPAA
GTIN	4055626130613
Weight per piece (including packing)	85.3 g
Weight per piece (excluding packing)	81.7 g
Customs tariff number	85444290
Country of origin	PL

NBC-FSBP/1,0-94B/R4AC - Network cable



1418004

<https://www.phoenixcontact.com/in/products/1418004>

Technical data

Mounting

Mounting type	Screw mounting
---------------	----------------

Product properties

Type	M12
Product type	Circular connectors (device side)
Sensor type	Ethernet
Number of positions	8
No. of cable outlets	1
Shielded	yes
Cable outlet	straight

Insulation characteristics

Degree of pollution	3
---------------------	---

Material specifications

Flammability rating according to UL 94	V2
Outer sheath, material	PUR
Conductor material	Bare Cu litz wires

Electrical properties

Rated voltage (III/3)	72 V (DC)
Transmission medium	Copper
Transmission characteristics (category)	Class D
Transmission speed	1 Gbps
Wave impedance	100 Ω

Mechanical properties

Mechanical data

Insertion/withdrawal cycles	≥ 100
-----------------------------	------------

Connector

Connection 1

Type	Flush-type female connector straight M12
------	--

Connection 2

Type	Plug straight RJ45
Degree of protection	IP20

Cable/line


Cable length	1.00 m
--------------	--------

NBC-FSBP/1,0-94B/R4AC - Network cable

1418004

<https://www.phoenixcontact.com/in/products/1418004>

Ethernet flexible CAT5, 4-pair [94B]

Dimensional drawing	
Shielded	yes
UL AWM Style	20963 (80°C/30 V)
Cable weight	47 kg/km
Cable type	Ethernet flexible CAT5, 4-pair
Short symbol	02YS(ST)C11Y
Cable type (abbreviation)	94B
Signal type/category	Ethernet CAT5 (IEC 11801), 1 Gbps
Cable structure	4x2xAWG26/7, SF/UTP
External cable diameter	6.4 mm ±0.2 mm
Outer sheath, material	PUR
External sheath, color	water blue RAL 5021
Thickness, outer sheath	1.05 mm
Conductor material	Bare Cu litz wires
Conductor structure signal line	7x 0.16 mm
AWG signal line	26
Conductor cross section	4x 2x 0.14 mm ²
Material wire insulation	Foamed PE
Wire diameter incl. insulation	0.96 mm
Single wire, color	white/blue-blue, white/orange-orange, white/green-green, white/brown-brown
Twisted pairs	2 cores to the pair
Overall twist	4 pairs for core
Shielding	Aluminum-coated foil, tinned copper braided shield
Optical shield covering	70 %
Nominal voltage, cable	≤ 100 V
Test voltage Core/Core	700 V (50 Hz, 1 min.)
Test voltage Core/Shield	700 V (50 Hz, 1 min.)
Cable insulation resistance	≥ 5 GΩ*km
Coupling resistance	≤ 100.00 mΩ/m (at 10 MHz)
Wave impedance	100 Ω ±5 Ω (at 100 MHz)
Loop resistance	≤ 290.00 Ω/km
Cable capacity	48 nF/km (at 1 kHz)
Signal runtime	5.3 ns/m
Tensile strength	≤ 100 N

NBC-FSBP/1,0-94B/R4AC - Network cable



1418004

<https://www.phoenixcontact.com/in/products/1418004>

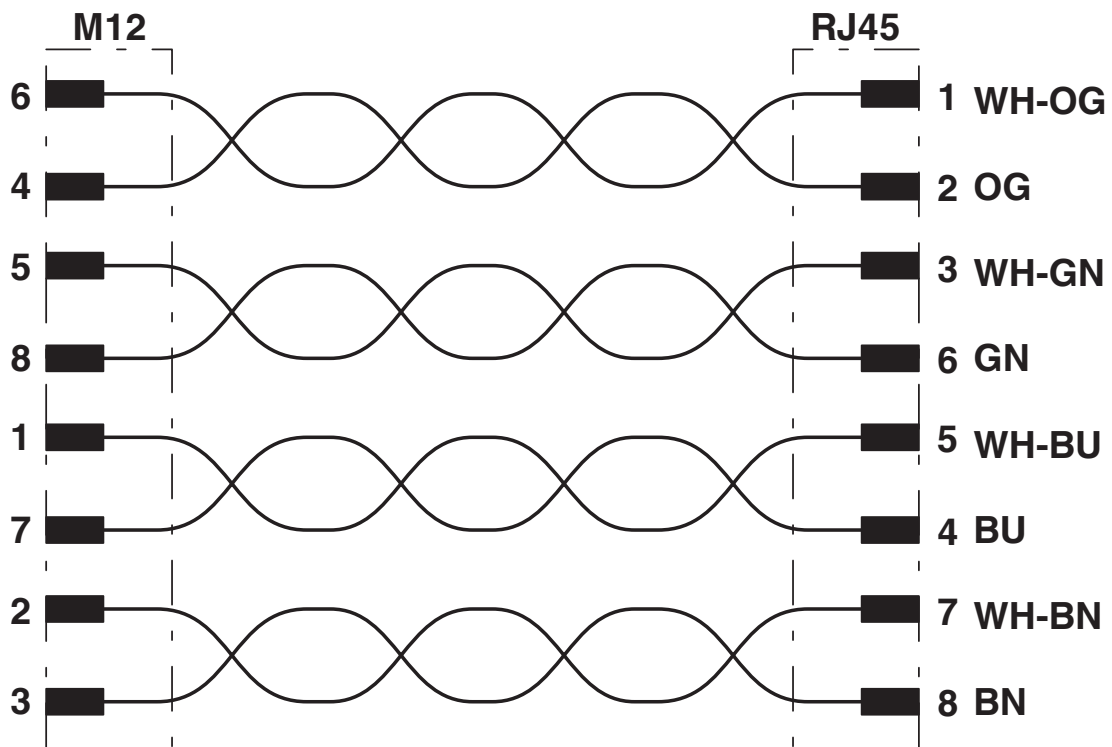
Minimum bending radius, fixed installation	4 x D
Minimum bending radius, flexible installation	8 x D
Damping	3.2 dB (with 1 MHz)
	6 dB (at 4 MHz)
	9.5 dB (at 10 MHz)
	12.1 dB (at 16 MHz)
	13.6 dB (at 20 MHz)
	17.1 dB (at 31.25 MHz)
	24.8 dB (at 62.5 MHz)
	32 dB (at 100 MHz)
Near end crosstalk attenuation (NEXT)	71.3 dB (with 1 MHz)
	62.3 dB (at 4 MHz)
	56.3 dB (at 10 MHz)
	53.2 dB (at 16 MHz)
	51.8 dB (at 20 MHz)
	48.9 dB (at 31.25 MHz)
	44.4 dB (at 62.5 MHz)
	41.3 dB (at 100 MHz)
Power-summated near end crosstalk attenuation (PSNEXT)	62.3 dB (with 1 MHz)
	53.3 dB (at 4 MHz)
	47.3 dB (at 10 MHz)
	44.2 dB (at 16 MHz)
	42.8 dB (at 20 MHz)
	39.9 dB (at 31.25 MHz)
	35.4 dB (at 62.5 MHz)
	32.3 dB (at 100 MHz)
Return attenuation (RL)	23 dB (at 4 MHz)
	24.1 dB (at 8 MHz)
	25 dB (at 10 MHz)
	25 dB (at 16 MHz)
	25 dB (at 20 MHz)
	23.6 dB (at 31.25 MHz)
	21.5 dB (at 62.5 MHz)
	20.1 dB (at 100 MHz)
Halogen-free	according to IEC 60754-1
Resistance to oil	in accordance with EN 60811-2-1
Flame resistance	according to IEC 60332-1-2
Ambient temperature (operation)	-20 °C ... 80 °C (Cable, flexible installation)
	-40 °C ... 80 °C (cable, fixed installation)

1418004

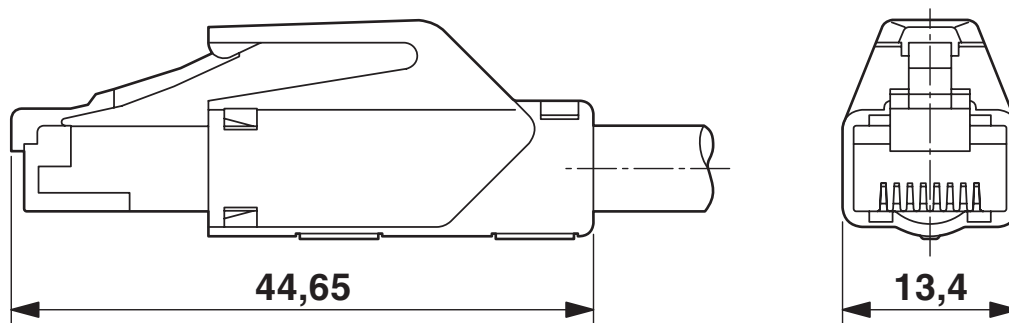
<https://www.phoenixcontact.com/in/products/1418004>

Drawings

Circuit diagram



Dimensional drawing



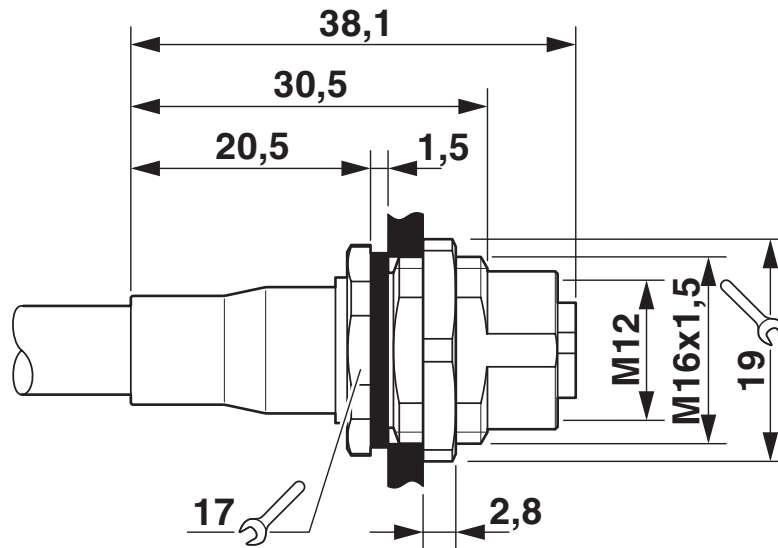
NBC-FSBP/1,0-94B/R4AC - Network cable



1418004

<https://www.phoenixcontact.com/in/products/1418004>

Dimensional drawing



M12 flush-type connector

NBC-FSBP/1,0-94B/R4AC - Network cable



1418004

<https://www.phoenixcontact.com/in/products/1418004>

Approvals

🔗 To download certificates, visit the product detail page: <https://www.phoenixcontact.com/in/products/1418004>



EAC

Approval ID: 19060508

NBC-FSBP/1,0-94B/R4AC - Network cable



1418004

<https://www.phoenixcontact.com/in/products/1418004>

Classifications

ECLASS

ECLASS-11.0	27060307
ECLASS-12.0	27060307
ECLASS-13.0	27060307

ETIM

ETIM 9.0	EC001855
----------	----------

UNSPSC

UNSPSC 21.0	26121600
-------------	----------

NBC-FSBP/1,0-94B/R4AC - Network cable



1418004

<https://www.phoenixcontact.com/in/products/1418004>

Environmental product compliance

REACH SVHC	Lead 7439-92-1
China RoHS	Environmentally Friendly Use Period = 50 years
	For information on hazardous substances, refer to the manufacturer's declaration available under "Downloads"

Phoenix Contact 2024 © - all rights reserved

<https://www.phoenixcontact.com>

PHOENIX CONTACT (I) Pvt. Ltd.

A-58/2, Okhla Industrial Area, Phase - II, New Delhi-110 020

+91.1275.71420

info@phoenixcontact.co.in